



ATIMPEX Ltd. Ground Floor, 17 Bowater Road, LONDON SE18 5TF, WEE/BA2109UW
Tel.: 0207 450 5292 E-mail: support@ledcentre.uk.com

Installation manual for 12V DC LED Dimmer

Thank you for shopping at LEDcentre.uk.com.

We would like to help your electrician with the installation.



12V DC LED Dimmer for single colour LED strip lights and **single colour LED modules only!**

WARNING: The 12V DC LED dimmer will not work with 12V AC LED products!

Maximum length of continuous LED strip lights: 5 metres, separate (by-pass) power connection required for each 10 metre LED strip light.

Transformers: Use our waterproof 12V DC LED driver/power supply only. Car batteries are also suitable for operating LED strip lights.

Installation: Input voltage: 12V DC
Power consumption: <1 W
Output: 1 channel
Input / Output current: <8 A
Max load current: 8A, 96W
Working temperature: -20-60
Warranty: 24 Months

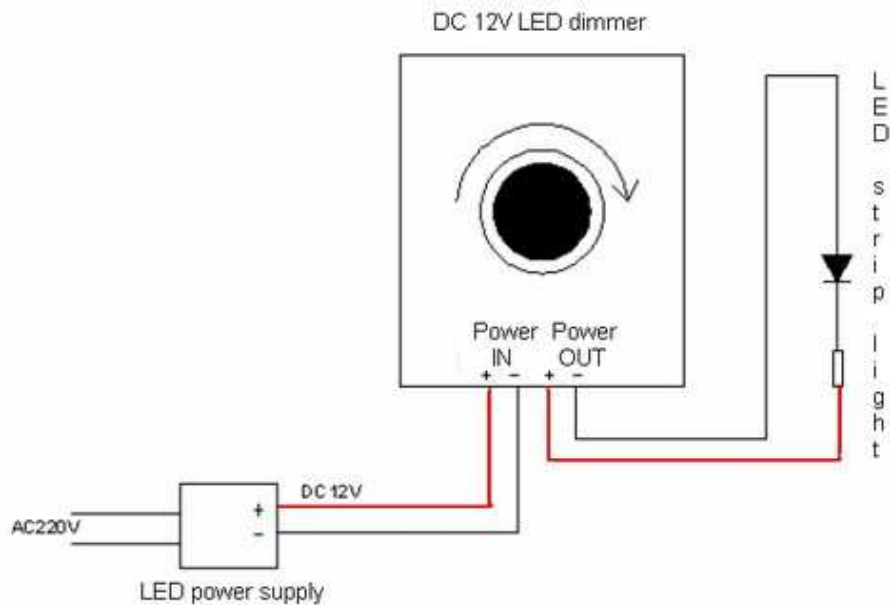
Easy wiring installation via screw terminal block, Connect the load wire at first, following by the power wire, red wire to (+) positive pole and black wire to (-) negative pole.
Please ensure short circuit can not occur between connecting wire before you turn on the power!
Do not swap polarity as LED strips are polarity sensitive!

Please note: Electronic transformers ruin the LED lights. If the light is damaged when used with unsuitable transformer, it loses its warranty.

The mains supply must always be isolated prior to installation. The overall electrical installation must conform to the relevant regulations.

The LEDcentre does not take any responsibilities for personal injuries or damage of the goods caused by incorrect installation. All installation must be carried out by qualified persons.

Wiring diagram:



Easy wiring installation via screw terminal block, Connect the load wire at first, following by the power wire, red wire to (+) positive pole and black wire to (-) negative pole. Please ensure short circuit can not occur between connecting wire before you turn on the power! Do not swap polarity as LED strips are polarity sensitive!

Please note: Electronic transformers ruin the LED lights. If the light is damaged when used with unsuitable transformer, it loses its warranty.

The mains supply must always be isolated prior to installation. The overall electrical installation must conform to the relevant regulations.

The LEDcentre does not take any responsibilities for personal injuries or damage of the goods caused by incorrect installation. All installation must be carried out by qualified persons.